

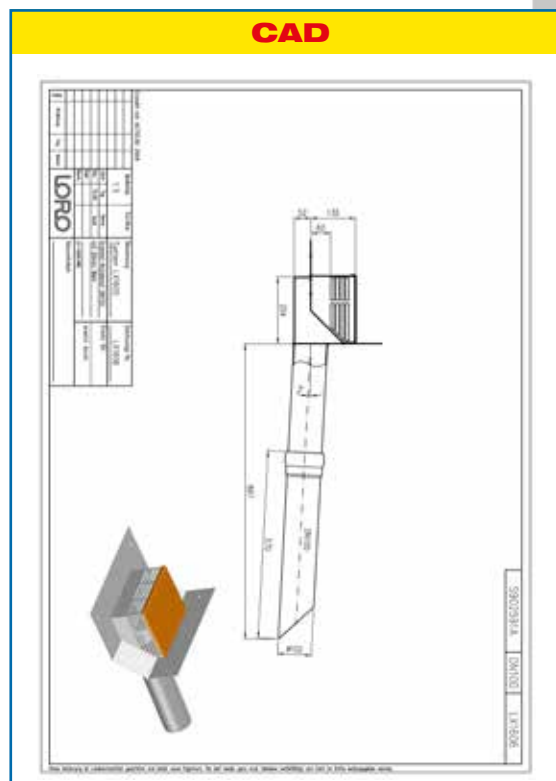
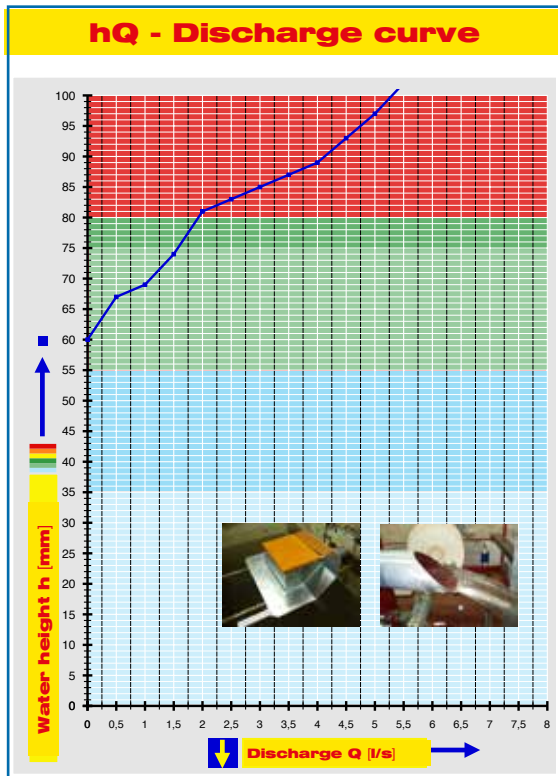
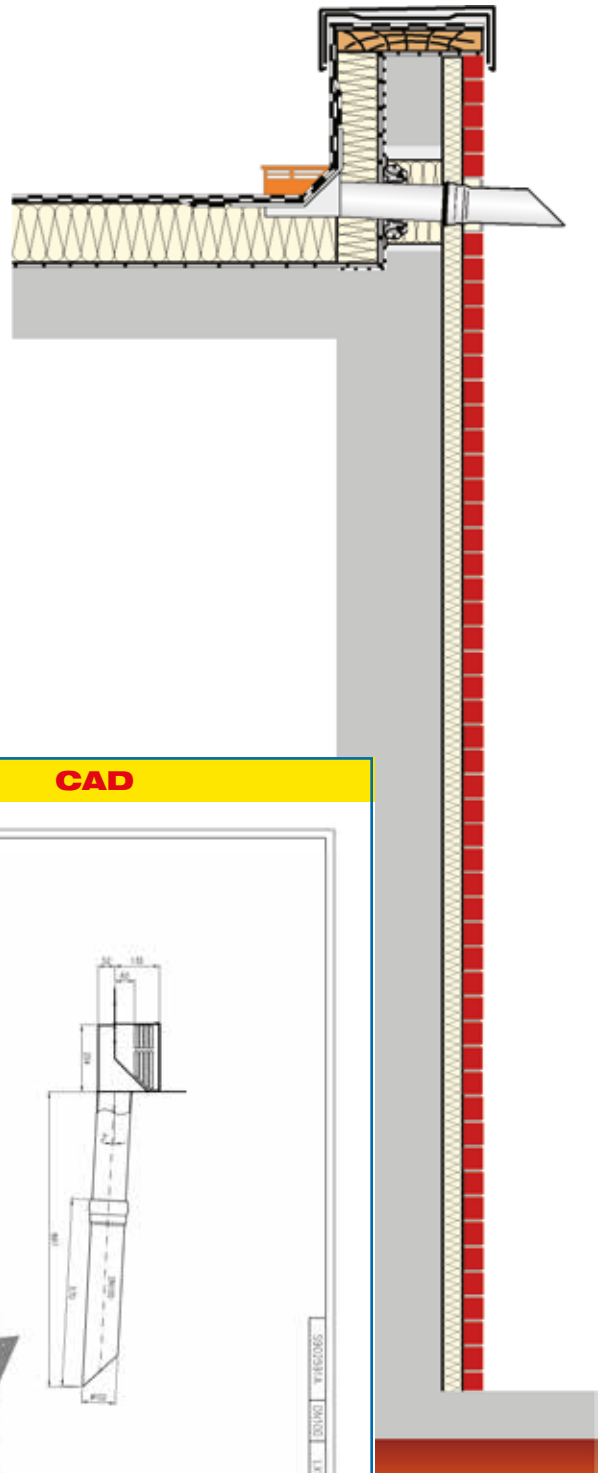
Specification sheet LX 1606

Parapet Drainage Series 43 Parapet-Direct with basin, 60 mm weir

Emergency drainage	
Gravity flow	
Silent	
Discharge rate:	1.6 l/s
Water height:	75 mm
Roof penetration:	52 mm
Diameter:	DN 100
LX-Number:	LX 1606
Weir height:	60 mm
Drain:	ventilated
Downpipe:	ventilated
Downpipe height:	-
Drainage:	on floor
Flange form:	bonding flange 45°

LX 1606 Piece list

- 1 x Art.-No. 01336.100X, Parapet direct drain
- 1 x Art.-No. 01317.000X, LORO-X insulation block
- 1 x Art.-No. 15199.100X, LORO-X Spout
- 1 x Art.-No. 13235.100X, LORO-X Sliding flange
- 1 x Art.-No. 00911.100X, LORO-X Sealing elements
- 1 x Art.-No. 00986.000X, LORO-X Lubricant



System power

System shape

Water height	mm	20	25	30	35	40	45	50	55	60	65	70	75	80	85	90	95	100
Discharge	l/s	-	-	-	-	-	-	-	-	-	-	1.2	1.6	1.9	3.0	4.1	4.7	5.3
Silent																		

LORO-X Parapet-Direct emergency drainage, with basin, weir height 60 mm

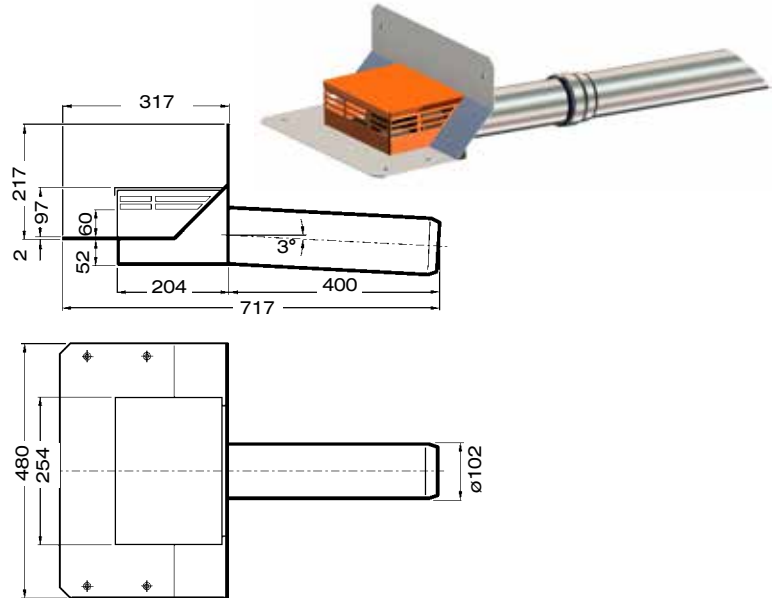
LX1606-3X

Series 43

Drain Art.-No. 01336.100X

Weight: 8.0 kg

with bonding flange for bituminous roofing sheets weir height 60 mm

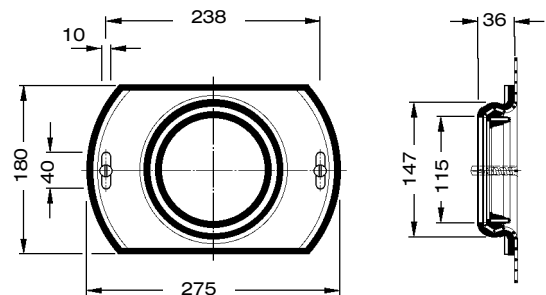


Sliding flange for LORO parapet direct drains

with pre-installed connection sleeve for vapor barrier made of bituminous roofing sheets, made of galvanized steel, including fastening screws

Art.-No. 13235.100X

Weight: 1.7 kg



Trace heating: Lorowerk recommends to check all drains and pipes with regard to their frost-sensibility. Where necessary, these parts should be equipped with a trace heating.